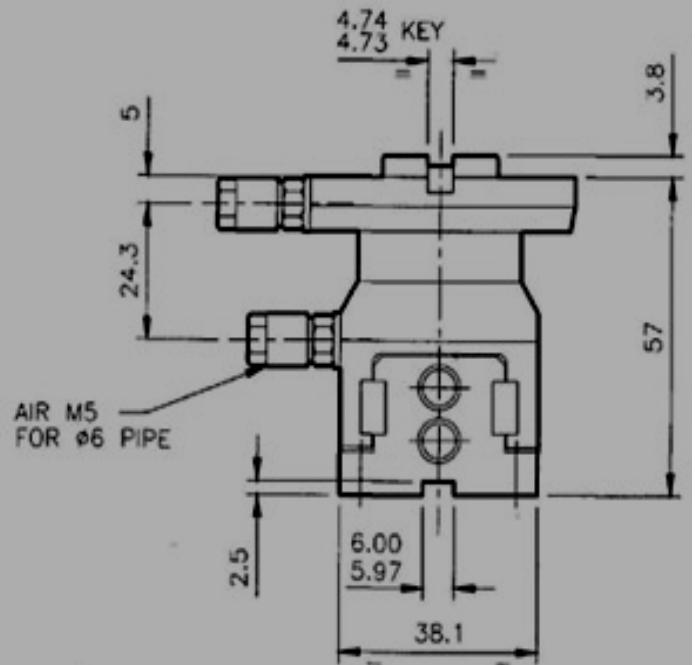
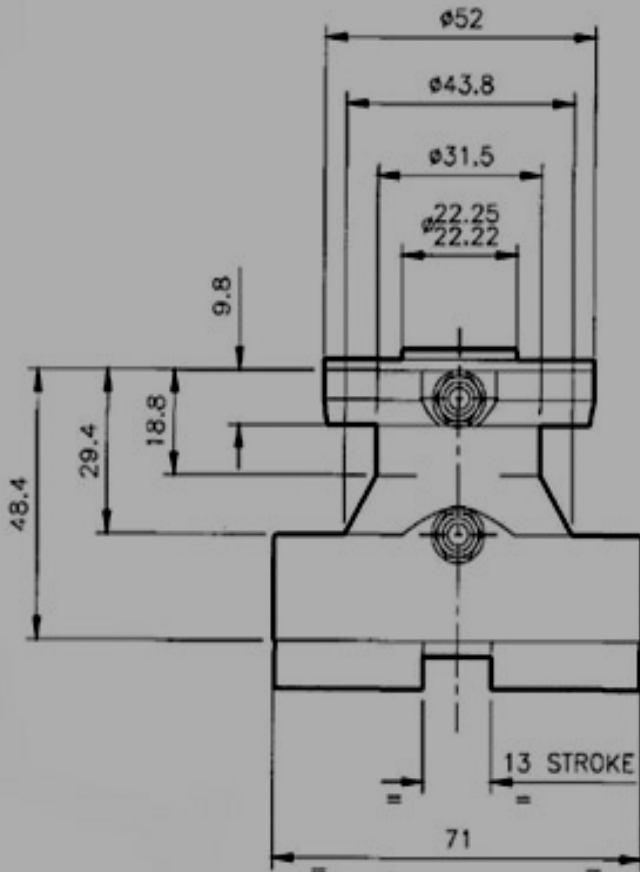
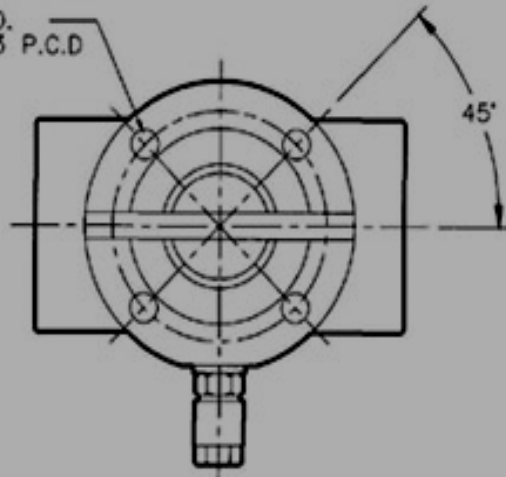


2028-13

4 HOLES $\phi 5.3$ THRO.
EQUI-SP ON A 41.3 P.C.D



12 HOLES M5 x 7 DP.

